



2RRE25 225x40R

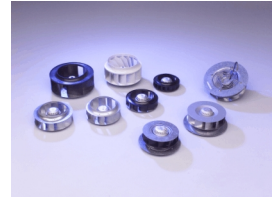
H06-16 p



DATA SHEET

release. g - Revision 05-2018

Voltage	Frequency	Input Power	Input Current	Capacitor	Airflow	Rotation speed	Acoustic level	Direction rotation	Admissible Temperature
V	Hz	W	A	µF	m³/h	RPM	dBA	↻	Min/Max
230	50	84	0,4	2,5	970	2665		R	-20°C / +70°C
230	60	112	0,49	2,5	1085	2975		R	-20°C / +70°C
230	50				570 CFM				-4°F / 158°F
230	60				638 CFM				-4°F / 158°F



dBA : free blowing

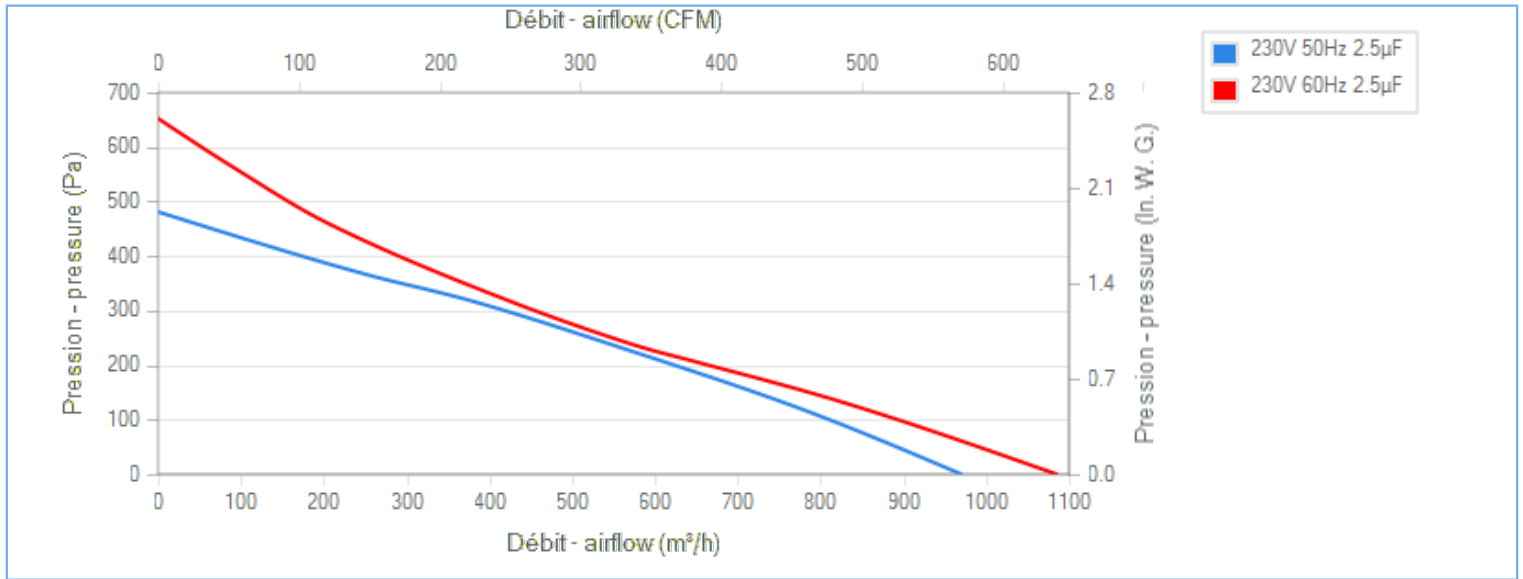
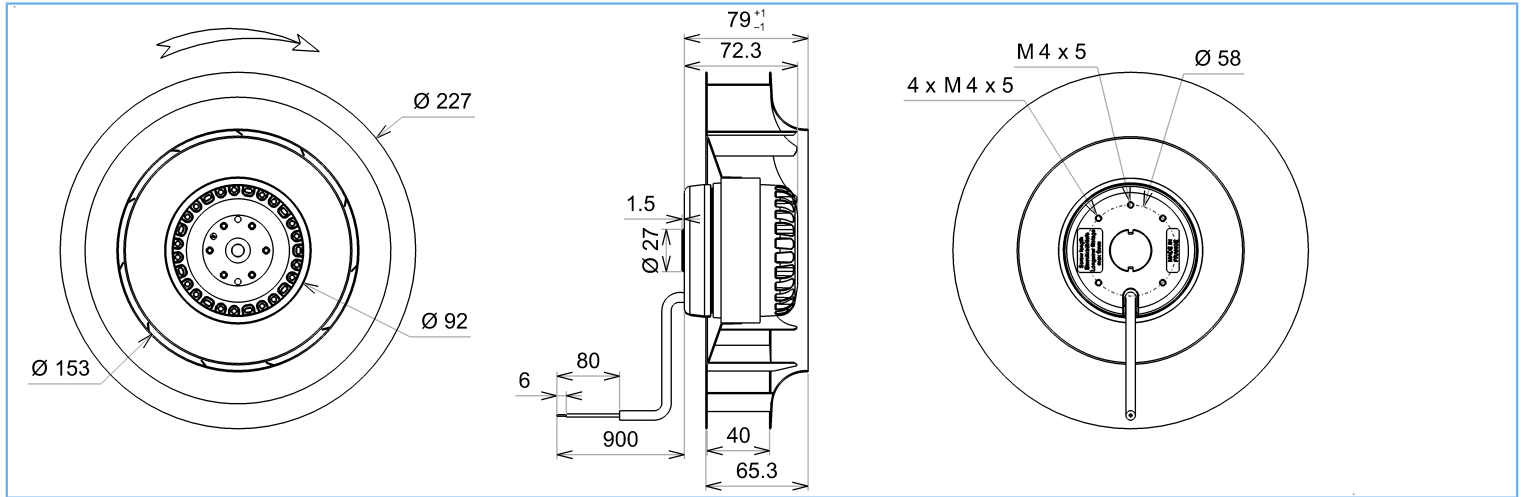
NA : not applicable

ErP 2013

NA

ErP 2015

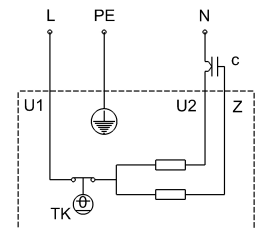
NA



Description

- .Weight : 2,3 Kg
- .Ball bearing
- .Class F, thermally protected
- .IP44 protection depending on installation and position as per EN60034-5
- .G2.5 balancing
- .Rotor : black paint
- .Galvanized steel impeller

U1 = Blue
 U2 = Black
 Z = Brown
 PE = Green/Yellow



Non contractual document. All specifications are subject to change without prior notice. Picture for information only.



2RRE25 225x40R

H06-16 p



DATA SHEET

release. g - Revision 05-2018

Data in accordance to ErP directive

Voltage	230	V
Frequency	50	Hz
Power	0,112	kW ⁽¹⁾
Airflow	572	m ³ /h ⁽¹⁾
Pressure	225	Pa ⁽¹⁾
Rotation speed	2437	RPM ⁽¹⁾

(1) at optimal efficiency point

ErP directive (EU 2009/125/EC) not applicable :
Power at optimum energy efficiency point

Accessories

- 19011
- 19011
- 21194
- 16133

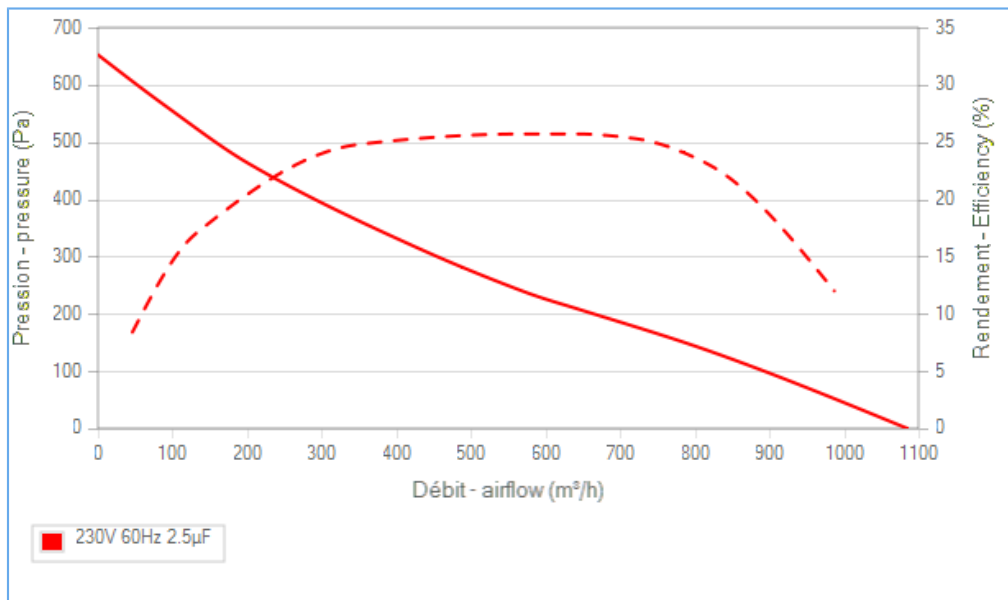
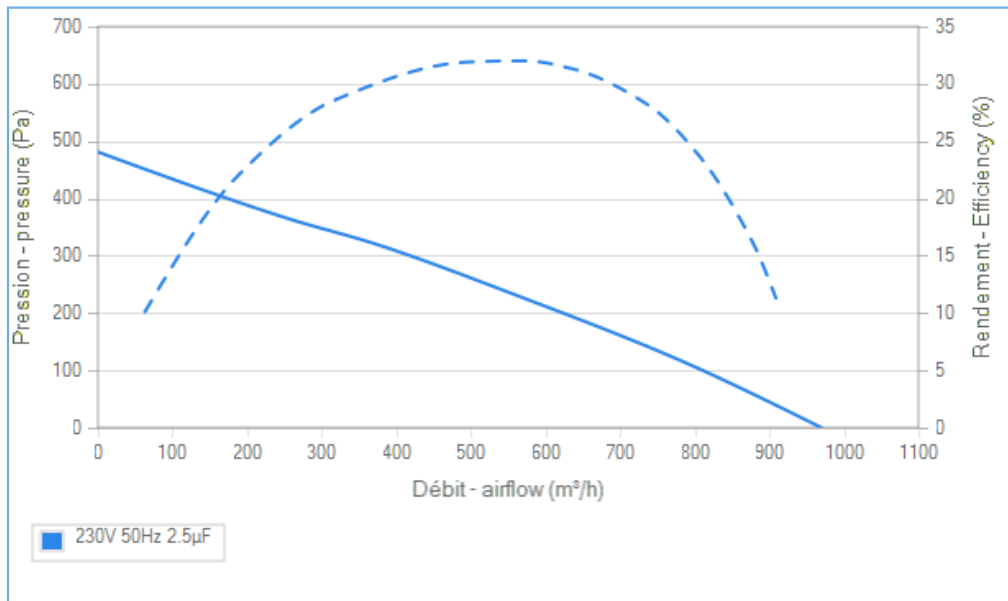
Measurement setup

16133 Ouie OJ150 Galva

Documents

Manuel d'utilisation
www.ecofit.com/site/normes

Operating and recycling manual
www.ecofit.com/anglais/normes



Non contractual document. All specifications are subject to change without prior notice. Picture for information only.