

## Thyristor speed controller TRO-150W

### User guide



### Welcome

Thank you for buying the product! Fan speed controller TRO is designed to regulate speed of single phase AC motor. Please read this manual for complete instructions on installing and operating your thermostat. If you require further assistance, please feel free to contact directly with Reventon Group Sp. z o.o.

### In the box you will find

- fan speed controller TRO
- user guide

### Service

We offer the warranty of 24 months from the sales day. Please, become acquainted with the warranty terms on the website [www.reventongroup.eu/en/complaints/](http://www.reventongroup.eu/en/complaints/).

### Technical data

Power supply: 220 ~ 240 V / 50 ~ 60 Hz

Maximum load:

- 150 W for TRO-150W unit
- 600 W for TRO-600W unit

Shell material: ABS (fireproof)

Dimensions (TRO-150W): 86 x 86 x 42 mm

Dimensions (TRO-600W): 86 x 86 x 40 mm

Ambient temperature:  $t = -20 - 55^{\circ}\text{C}$ ,  $20\% < \varphi < 90\%$

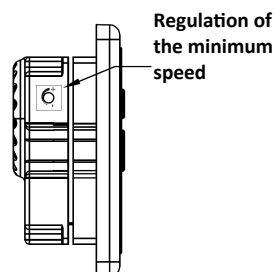
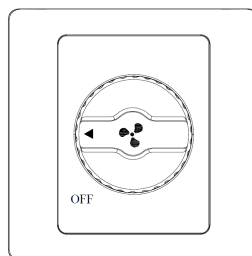
### About device

Fan speed controller TRO was designed to regulate the rotational speed of single phase fan motor AC. It is made of electrical components from thyristors family. It allows to **smooth regulation** of rotational speed.

### Features of the controller

- Modern design
- Simple operation and reliability
- Cooperation with AC motors
- Smooth regulation
- Easy installation

### Operation

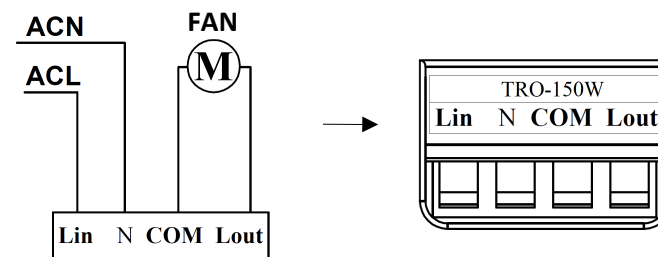


1. Fan speed can be adjusted by rotating the knob:

- turn right – decrease the speed,
- turn left – increase the speed,
- OFF position – turn off the fan.

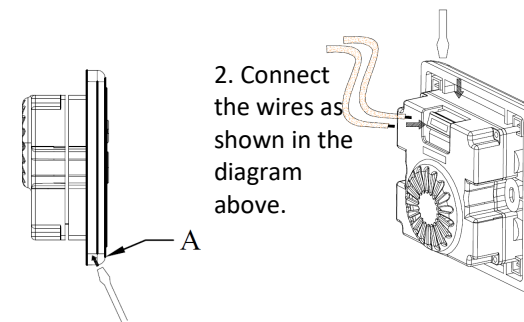
2. Rotating the minimum speed knob on the side of regulator can adjust the minimum speed of the AC fan. Turn right to decrease minimum speed, turn left to increase the minimum speed.

### Wiring diagram



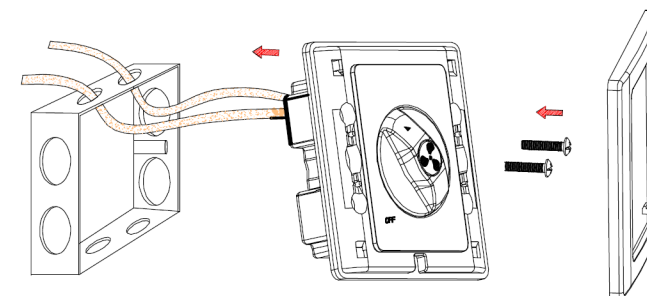
### Installation

1. Using the screwdriver, take off the front panel.



2. Connect the wires as shown in the diagram above.

3. Take on the front panel and then put it inside electrical box.



**WARNING:** Please arrange the professional technician to install this product according to installation drawing and instruction.

**RISK OF ELECTRICAL SHOCK:** Disconnect power supply before making electrical connection. Contact with components carrying hazardous voltage can cause electrical shock and may result in severe personal injury or death.